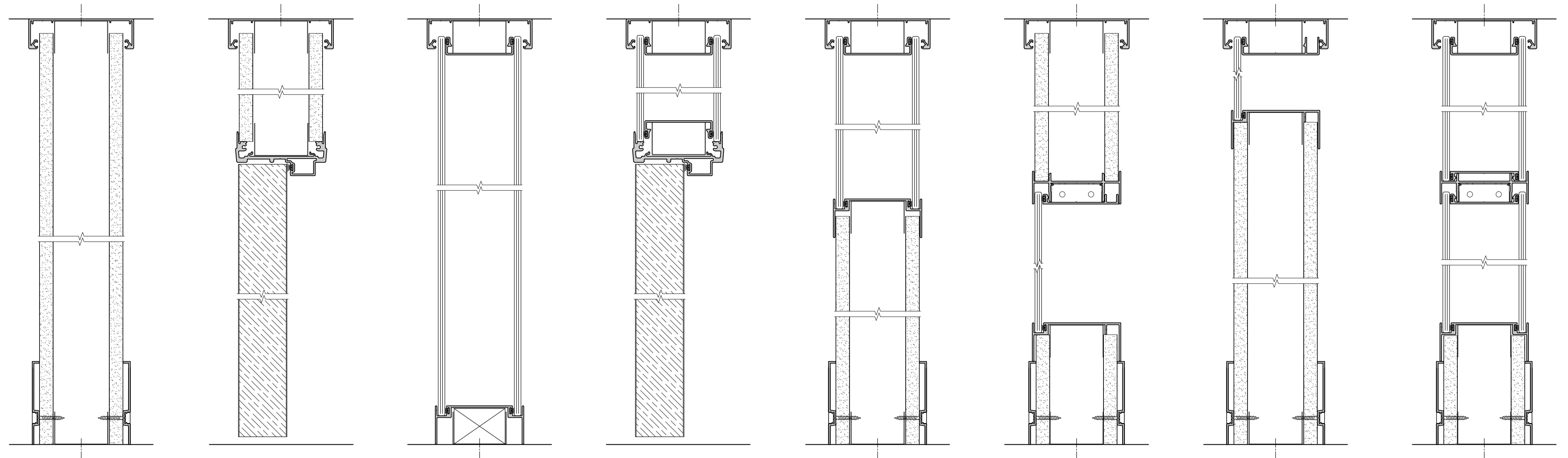


*MANIFESTATION TO MEET REQUIREMENTS OF APPROVED DOCUMENT M IF BLINDS ARE NOT USED



SECTION A
FULL HEIGHT SOLID

SECTION B
TIMBER DOOR WITH
SOLID ABOVE

SECTION C
FULL HEIGHT DOUBLE GLAZED

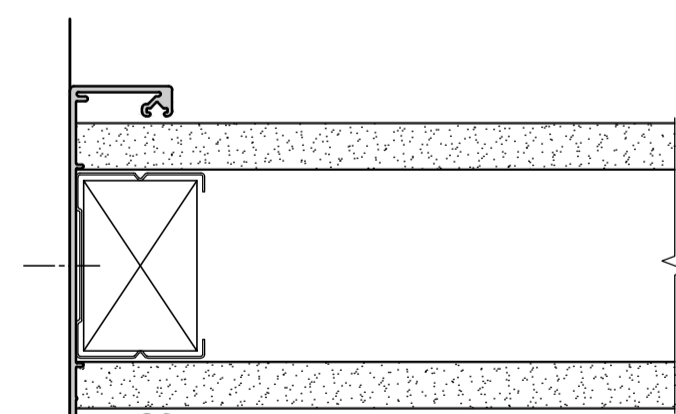
SECTION D
TIMBER DOOR WITH
DOUBLE GLAZED ABOVE

SECTION E
HALF HEIGHT SOLID WITH
DOUBLE GLAZED ABOVE

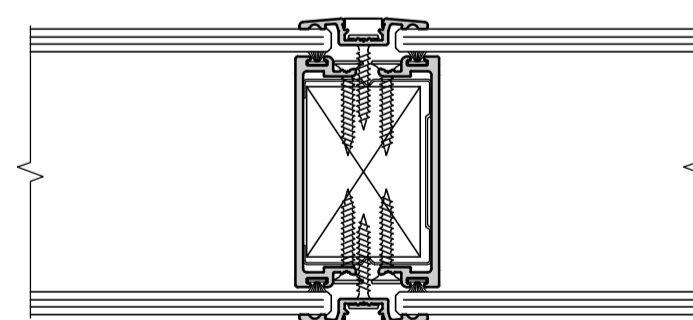
SECTION F
OFFSET GLAZED TO HEAD
HEIGHT WITH SOLID ABOVE

SECTION G
SOLID TO HEAD HEIGHT WITH
DOUBLE GLAZED ABOVE

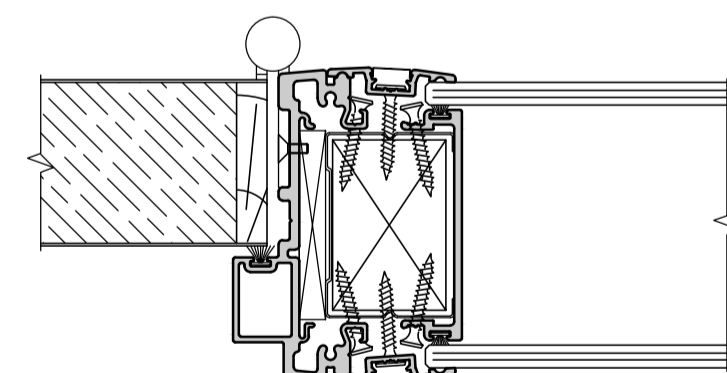
SECTION H
FULL HEIGHT BANDED GLAZING



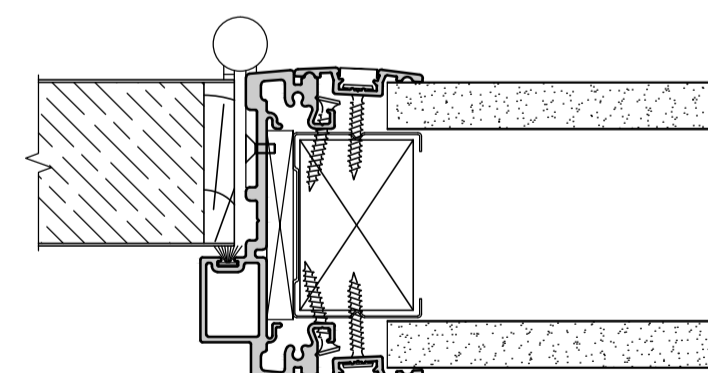
SECTION I
STRUCTURE / SOLID
(CHANNEL ABUTMENT)



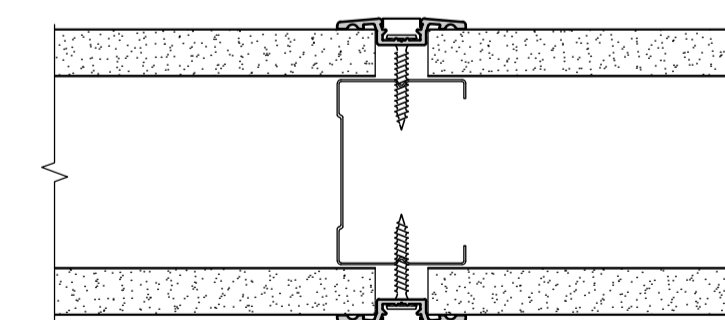
SECTION J
DOUBLE GLAZED / DOUBLE GLAZED



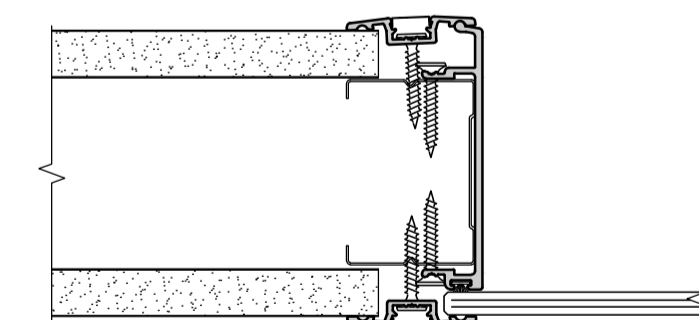
SECTION K
SQUARE DOOR FRAME / DOUBLE GLAZED



SECTION L
SQUARE DOOR FRAME /
SOLID



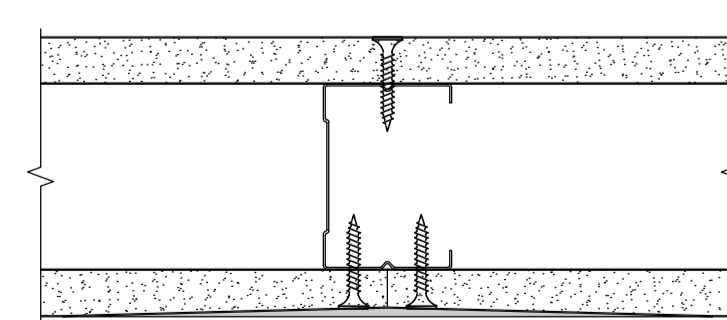
SECTION M
SOLID / SOLID



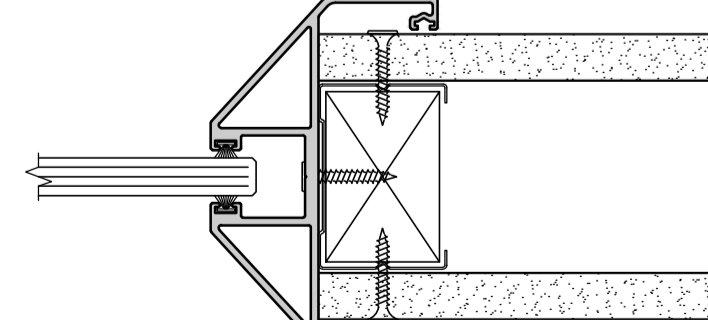
SECTION N
SOLID / OFFSET GLAZED



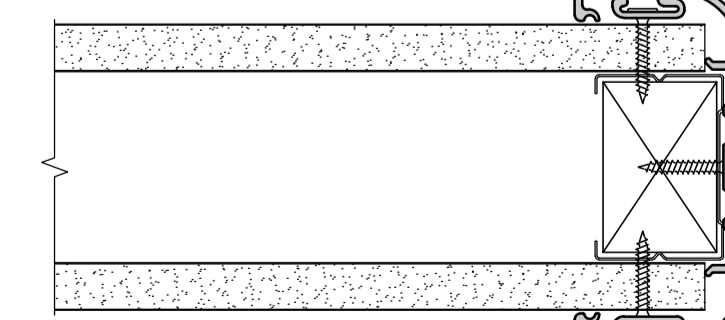
SECTION O
DOUBLE GLAZED / STRUCTURE
(TRIMMED ABUTMENT)



SOLID / SOLID
(TAPED AND JOINTED)



SYSTEM 8000
INTEGRATION



SOLID FREE
END DETAIL

THE DETAILS ABOVE SHOW A SUMMARY OF SYSTEM OFFERING. FOR FURTHER DESIGN OPTIONS VISIT OUR WEBSITE OR CONTACT THE PARTITIONING TECHNICAL DEPARTMENT, FOR FIRE RATED DETAILS REFER TO TECHNICAL MANUAL.



SAS International
31 Suttons Business Park,
London Road, Reading,
Berkshire, RG6 1AZ
Tel: 0118 929 0900
Fax: 0118 929 0908
Technical Helpline:
0118 929 0998
www.sasint.co.uk

SAS International claims proprietary rights in the information disclosed herein. This drawing is furnished in confidence on the express understanding that neither it nor any reproduction thereof will be disclosed to others or used for the purpose of manufacture or procurement of the article or part shown hereon without the express consent in writing of SAS International. It should be understood that any article or part either made in accordance with the attached drawing or copied from an article or part made in accordance with said drawing, without the express permission in writing of SAS International, will be an infringement of the Copyright which subsists in said drawing and therefore actionable by law.
© 2010 SAS International

REV	DATE	DESCRIPTION

SYSTEM 6000

SQUARE PROFILES
TYPICAL MODULE ELEVATIONS AND SECTION VIEWS

SCALE @ A1
ELEVATIONS 1:20 SECTIONS 1:2
DRG NO
PS/6100/0001
ISSUED
INFORMATION

DATE
10/01/2012

DRAWN BY
TC
REV
00
CHECKED
KYE